



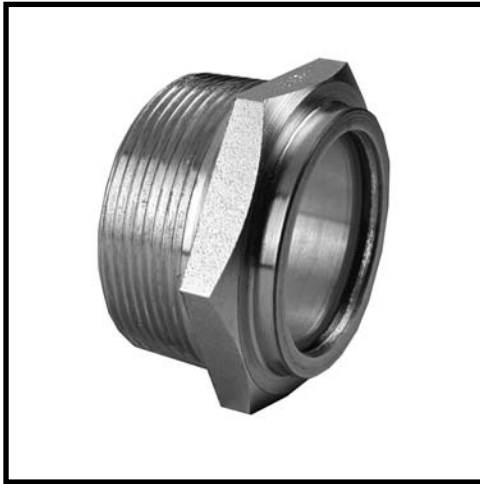
# SEETRU LTD

## Window Sight Glasses

Compact assemblies that provide reliable level indication at low cost. Both the window sightglass and Seetru Mini gauge are fitted with quality glass and are constructed suitable for elevated temperature and pressurized applications.

### Window Sightglass A convenient indicator

Two designs are available offering a flat or domed glass viewing window. Cushioned against shock, the glass window is fully sealed in a steel body as standard, alternative materials can be considered.



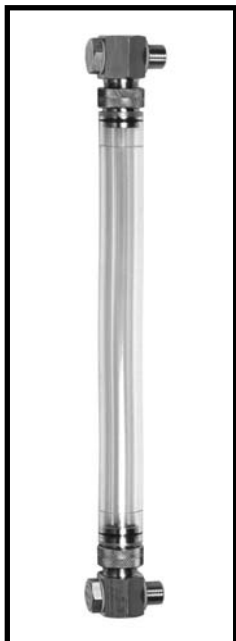
**Flat Glass Window**

Positive indication when liquid present.  
Reflector provides visual enhancement of coloured liquids.  
Reflex glass version gives black/silver indication with colourless liquids.



**Domed Glass Window**

Presence of liquid can be checked from any forward viewing position.



### Seetru Mini Gauge A sight tube for level indication

Protected by a clear polycarbonate plastic guard tube, the glass sight tube provides liquid level indication over the required height of the vessel.

Colourless liquids are indicated by a coloured tape that is magnified when viewed through the liquid. The required maximum and minimum fluid levels can be indicated on a scale plate supplied to suit individual applications.

The valveless end units with screwed vessel connections are sealed to the sight tube by a unique 'O' ring gland system to ensure ease of installation and trouble free operation. The gland system will allow for adjustment of the gauge  $\pm 2\text{mm}$  on the fitting centres.

### Other Products

- Safety Relief Valves for Compressed Air & Gases.
- Safety Relief Valves with Resilient Seals.
- Safety Relief Valves with Metal Sealing.
- Check Valves.
- Tubular Glass, Reflex Glass & Magnetic
- Safety Relief Valves for Refrigerants.
- Liquid Level Gauges.

Seetru Limited, Albion Dockside Works, Bristol BS1 6UT

Tel: 0117 927 9204  
Email: [enquiries@seetru.com](mailto:enquiries@seetru.com)

Fax: 0117 929 8193  
Web: [www.seetru.com](http://www.seetru.com)

## WINDOW SIGHT GLASS

When ordering please state part number, thread size, fluid, operating temperature and pressure.

### WORKING PRESSURE:

(See Size Chart)

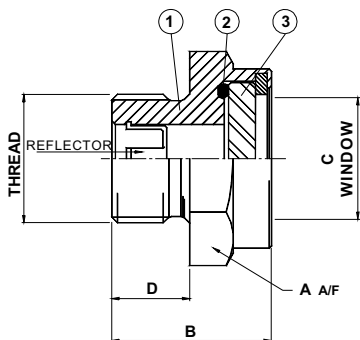
### OPERATING TEMPERATURE:

Subject to application  
Nitrile seals up to 120°C  
Viton seals up to 180°C.

No.	ITEM	MATERIAL
1	BODY	MILD STL. ZINC PLATED & PASSIVATED
2	SEAL	NITRILE OR VITON
3	VIEWING WINDOW	SERIES 'SF' : SIZES 1/2", 3/4" & 1". ANNEALED BOROSILICATE HEAT RESISTING GLASS. 1 1/2", 1 1/4" & 2". TOUGHENED SODA LIME GLASS. SERIES 'SD' : ANNEALED BOROSILICATE HEAT RESISTING GLASS.

### Series 'SF' - Flat Glass Window

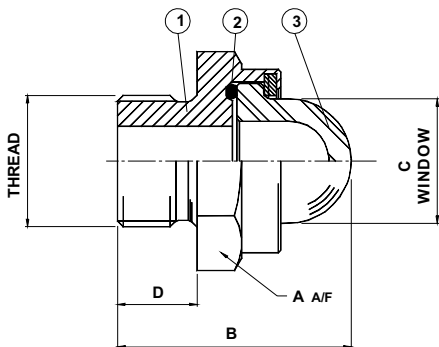
Standard construction shown. Alternative threads, sizes, pressures, reflex glass and temperatures may be available.



CONNECTION BSP	PART NUMBER CLEAR GLASS WITHOUT A REFLECTOR	PART NUMBER CLEAR GLASS WITH REFLECTOR	DIMENSIONS mm				STANDARD WORKING PRESSURE BAR.G
			A	B	C	D	
1/2"	SFG04135*	SGG04135*	33	30	19	14	16
3/4"	SFG06135*	SGG06135*	33	31	19	16	16
1"	SFG08135*	SGG08135*	38.1	34.5	21	19	16
1 1/4"	SFG10135*	SGN10035*	52	37	31	22	24
1 1/2"	SFG12135*	SGG12135*	52	36.5	31	22	24
2"	SFG16135*	SGG16135*	65	40	45	27	14.5

### Series 'SD' - Domed Glass Window

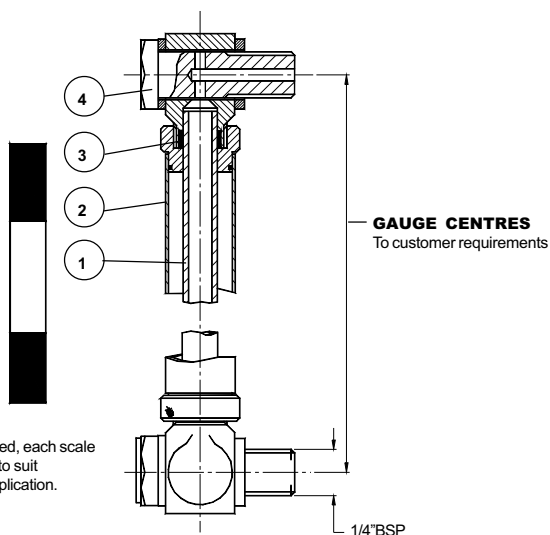
Standard construction shown. Alternative threads, sizes, pressures and temperatures may be available.



CONNECTION BSP	PART NUMBER DOMED GLASS	DIMENSIONS mm				STANDARD WORKING PRESSURE BAR.G
		A	B	C	D	
1/2"	SDG04135*	38.1	45	25	14	16
3/4"	SDG06135*	38.1	47	25	16	16
1"	SDG08135*	38.1	50	25	19	16

## SEETRU MINI GAUGE (Ref. No. G27)

When ordering please state distance between gauge centres, fluid operating temperature and pressure. Quotation for scale plate on request.



No.	ITEM	MATERIAL
1	SIGHT TUBE	ANNEALED BOROSILICATE HEAT RESISTING GLASS
2	GUARD TUBE	POLYCARBONATE PLASTIC
3	GLAND ASSY	VITON & P.T.F.E.
4	END UNIT	BRASS

### WORKING PRESSURE:

19 Bar.g. standard working pressure, up to 30 Bar.g. available, subject to application.

### OPERATING TEMPERATURE:

Up to 180°C, subject to application.

**SIGHT GLASS UNIT SUITABLE  
FOR USE WITH LIQUIFIED  
REFRIGERANTS**

**PARTS LIST AND  
MATERIAL SPECIFICATION.**

1	BODY	PLATED MILD STEEL
2	SEALING WASHER	NEOPRENE
3	REFLEX GLASS	BOROSILICATE GLASS
4	CUSHION WASHER	P.T.F.E.
5	LOCKING RING	PLATED MILD STEEL
6	FROST SHIELD	ACRYLIC

**TECHNICAL SPECIFICATION**

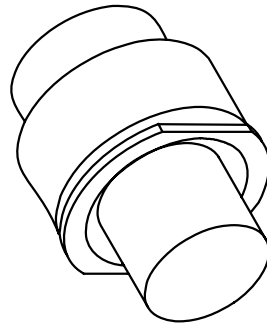
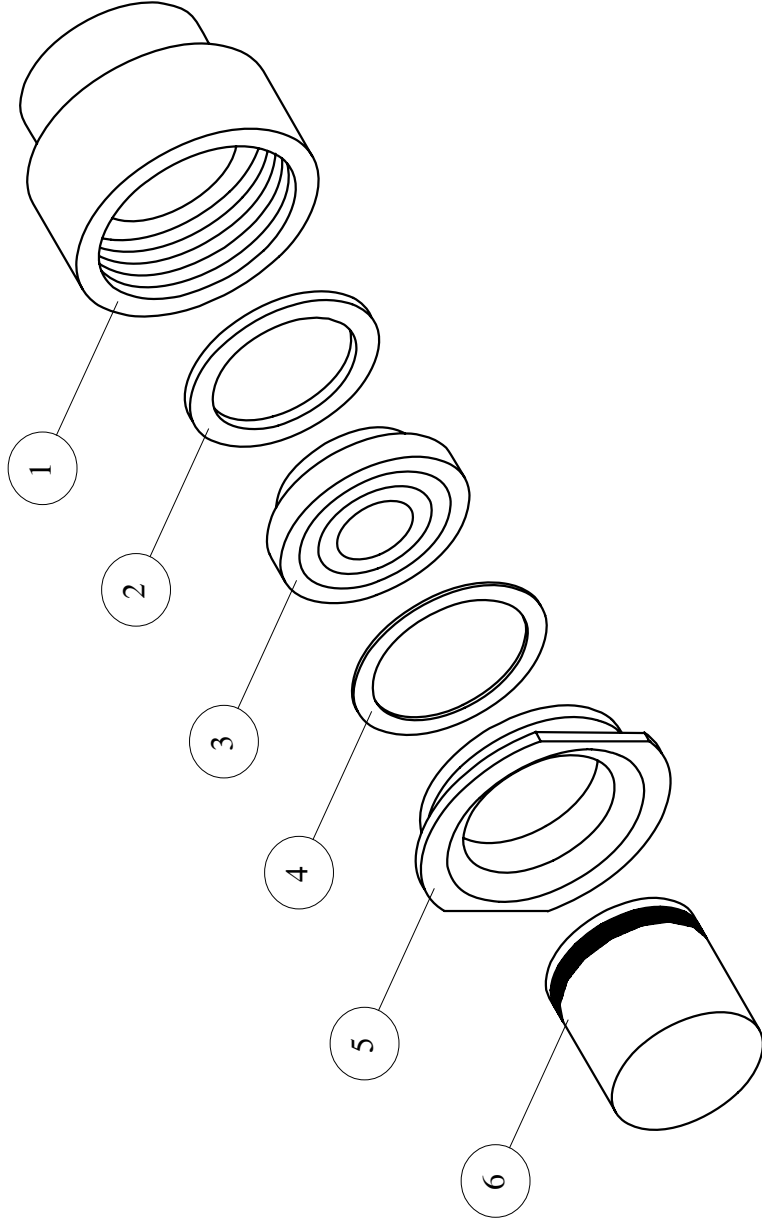
Suitable for use with Freon 12, 22, 500, 502, and Ammonia.  
 Maximum working pressure = 25 bar.g  
 Operating temperature range = 0°C to 100°C.  
 Tank connection, 48mm diameter for welding into a 50mm diameter hole, or over a 40mm diameter hole.

**OPTIONS**

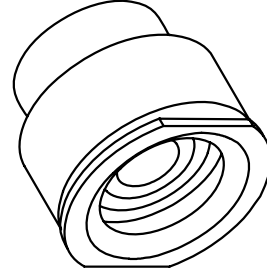
Available with frost shield. This component prevents build-up of frost on the face of the reflex glass.

**ASSEMBLY NOTES**

Locking ring (item 5) to be tightened to a torque of 30lbs ft. (40.68 Nm).  
 The sight glass assembly **MUST** be tested for pressure tightness **BEFORE** fitting the optional frost shield.  
 When fitting frost shield, a thin layer of mineral oil must be applied to the 'O' ring. This permits air trapped between the shield and the reflex glass to escape.



Assembly with optional Frost Shield



Assembly without Frost Shield



**EBTRADE LIMITED**

ALBION DOCKSIDE WORKS, HANOVER PLACE, BRISTOL BS1 6UT  
 TELEPHONE (0117) 9279204, FAX (0117) 9298193

**SIGHT GLASS UNIT  
SUITABLE FOR USE WITH  
LIQUIFIED REFRIGERANTS**

**TYPE NUMBER  
A1-700-5R**

**PARTS & MATERIAL LIST**

No.	ITEM	MATERIAL
1	BODY	MILD STL. ZINC PLATED & PASSIVATED. ST.STL. 316. BRASS CHROME PLATED.
2	SEAL	TO SUIT APPLICATION
3	VIEWING WINDOW	SERIES 'SF' SIZES: 1/2", 3/4" & 1" ANNEALED BOROSILICATE HEAT RESISTING GLASS.
		SIZES: 1 1/2", 1 1/4" & 2" TOUGHENED SODA LIME GLASS.
		SERIES 'SD' ANNEALED BOROSILICATE HEAT RESISTING GLASS.
		SERIES 'SR' SIZES: 1/2", 3/4" & 1" ANNEALED BOROSILICATE HEAT RESISTING GLASS.

**SERIES 'SF' & 'SR'**

**FLAT GLASS WINDOWS & REFLEX GLASS WINDOWS**

CONNECTION BSP	PART NUMBER CLEAR GLASS WITHOUT A REFLECTOR	PART NUMBER REFLEX GLASS WITH REFLECTOR	DIMENSIONS mm				STANDARD WORKING PRESSURE BAR.G.
			A	B	C	D	
1/2"	SFG04135*	SGG04135*	33	30	19	14	16
3/4"	SFG06135*	SGG06135*	33	31	19	16	16
1"	SFG08135*	SGG08135*	38.1	34.5	21	19	16
1 1/4"	SFG10135*	SGN10035*	N/A	52	37	31	24
1 1/2"	SFG12135*	SGG12135*	N/A	52	36.5	31	24
2"	SFG16135*	SGG16135*	N/A	65	40	45	14.5

**WINDOW SIGHT GLASS**

WHEN ORDERING PLEASE STATE PART NUMBER, THREAD SIZE, FLUID, OPERATING TEMPERATURE & PRESSURE.

**ORDERING CODE**

Example: SFG04135\* is a Sight Glass Flat, 1/2"BSP Parallel connection with ISO undercut, in Mild Stl. with [ \* = o'ring material to suit].

**WORKING PRESSURE:**

See tables.

**OPERATING TEMPERATURE:**

Subject to seal material.

**CONNECTIONS:**

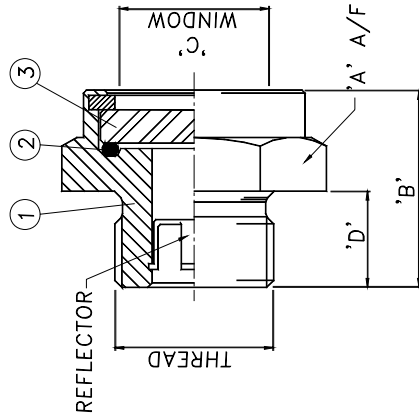
Alternative thread sizes may be available.

**SERIES 'SD'**

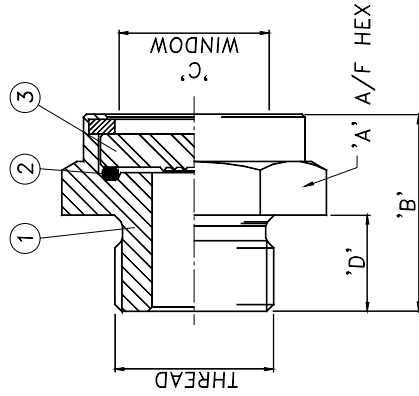
**DOMED GLASS WINDOWS**

CONNECTION BSP	PART NUMBER DOMED GLASS	DIMENSIONS mm				STANDARD WORKING PRESSURE BAR.G.
		A	B	C	D	
1/2"	SDG04135*	38.1	45	25	14	16
3/4"	SDG06135*	38.1	47	25	16	16
1"	SDG08135*	38.1	50	25	19	16

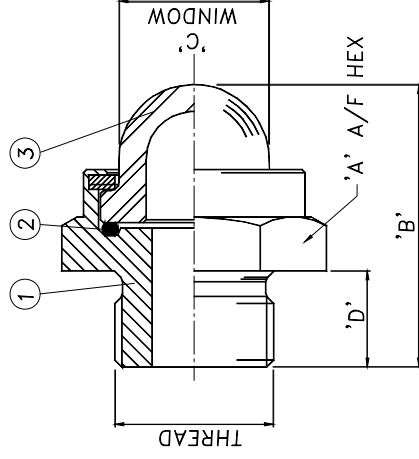
**SERIES 'SF'**



**SERIES 'SR'**



**SERIES 'SD'**



**SEETRU LIMITED**

ALBION DOCKSIDE WORKS, BRISTOL. BS16UT

TELEPHONE +44 (0) 117 927 9204, FAX +44 (0) 117 929 8193

www.seetru.com enquiries@seetru.com

WINDOW SIGHT GLASS

SIGHT GLASS SERIES  
TYPE 'SD'  
TYPE 'SF'  
TYPE 'SR'