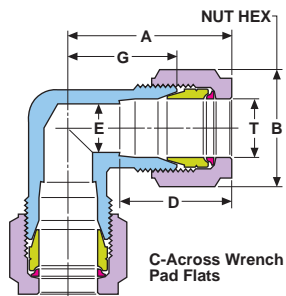


Union Elbow: LU connects fractional tubes


Metric fitting shown



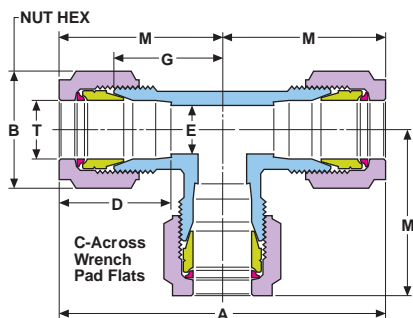
Part Number*	T Tube O.D.	Dimensions — inches					
		A	Hex Flat	C	D	E min	G
1LU []	1/16	.78	5/16	7/16	.41	.05	.56
2LU []	1/8	.97	7/16	7/16	.56	.09	.66
3LU []	3/16	1	1/2	7/16	.59	.13	.69
4LU []	1/4	1.05	9/16	7/16	.64	.19	.72
6LU []	3/8	1.19	11/16	1/2	.72	.30	.84
8LU []	1/2	1.44	7/8	11/16	.97	.42	.97
10LU []	5/8	1.47	1	13/16	1	.50	.03
12LU []	3/4	1.59	1 1/8	1	1	.66	.16
14LU []	7/8	1.72	1 1/4	1 1/4	1.06	.72	.28
16LU []	1	1.88	1 1/2	1 1/4	1.31	.88	.31
20LU []	1 1/4	2.67	1 7/8	1 11/16	1.62	1.09	1.75
24LU []	1 1/2	3.07	2 1/4	2	1.97	1.34	2
32LU32 []	2	4.22	3	2 3/4	2.66	1.81	2.75

Union Elbow: LU/MM connects metric tubes

Part Number*	T Tube O.D.	Dimensions—mm					
		A	Hex Flat	C	D	E min	G
3LU []MM	3	24.6	11.1	11.0	14.3	2.2	16.7
4LU []MM	4	25.3	12.7	11.0	15.1	2.3	17.5
6LU []MM	6	26.6	14.3	11.0	16.3	3.8	18.3
8LU []MM	8	28.6	15.9	12.6	16.7	5.8	20.6
10LU []MM	10	32.6	19.1	17.3	17.5	7.9	24.6
12LU []MM	12	36.6	22.2	17.3	24.6	9.9	24.6
14LU []MM	14	34.0	23.8	17.3	22.2	11.9	24.6
15LU []MM	15	36.5	23.8	17.4	22.2	12.7	26.2
16LU []MM	16	37.3	25.4	20.5	25.0	12.7	26.2
18LU []MM	18	39.3	28.6	25.3	25.4	15.8	29.4
20LU []MM	20	46.4	31.8	31.8	31.0	16.7	32.5
22LU []MM	22	43.7	31.8	31.6	27.0	17.9	32.5
25LU []MM	25	47.8	38.1	31.6	33.3	21.8	33.3
30LU []MM	30	69.9	50.8	46	39.2	26.2	48.3
32LU []MM	32	72.3	50.8	46	41.6	28.6	49.3
38LU []MM	38	84	60.3	55	47.9	33.7	56.4

Union Tee: TTT connects fractional tubes


Metric fitting shown



Part Number*	T Tube O.D.	Dimensions — inches						
		A	Hex Flat	C	D	E min	G	M
1TTT []	1/16	1.56	5/16	7/16	.41	.05	.56	.78
2TTT []	1/8	1.94	7/16	7/16	.56	.09	.66	.97
3TTT []	3/16	2	1/2	7/16	.59	.13	.69	1
4TTT []	1/4	2.04	9/16	7/16	.64	.19	.72	1.05
6TTT []	3/8	2.38	11/16	1/2	.72	.30	.84	1.19
8TTT []	1/2	2.88	7/8	11/16	.97	.42	.97	1.44
10TTT []	5/8	2.94	1	13/16	1	.50	1.03	1.47
12TTT []	3/4	3.19	1 1/8	1	1	.66	1.16	1.59
14TTT []	7/8	3.44	1 1/4	1 1/4	1.06	.72	1.28	1.72
16TTT []	1	3.75	1 1/2	1 1/4	1.31	.88	1.31	1.88
20TTT []	1 1/4	5.24	1 7/8	1 11/16	1.53	1.09	1.75	2.62
24TTT []	1 1/2	6.14	2 1/4	2	1.78	1.34	2	3.07
32TTT []	2	8.44	3	2 3/4	2.50	1.81	2.75	4.22

Union Tee: TTT/MM connects metric tubes

Part Number*	T Tube O.D.	Dimensions — mm						
		A	Hex Flat	C	D	E min	G	M
3TTT []MM	3	49.4	11.1	11.1	14.3	2.2	16.8	24.7
4TTT []MM	4	50.7	12.7	11.1	15.1	2.2	17.5	25.4
6TTT []MM	6	53.3	14.3	11.1	16.3	3.8	18.3	26.7
8TTT []MM	8	57.2	15.9	12.7	16.7	5.8	20.6	28.6
10TTT []MM	10	65.2	19.1	17.5	17.5	7.9	24.6	32.6
12TTT []MM	12	73.2	22.2	17.5	24.6	9.9	24.6	36.6
14TTT []MM	14	71.1	23.8	20.7	22.2	11.9	26.2	35.6
15TTT []MM	15	72.9	23.8	20.7	22.2	12.7	26.2	36.5
16TTT []MM	16	74.6	25.4	20.7	25.0	12.7	26.2	37.3
18TTT []MM	18	78.9	28.6	25.4	25.4	15.8	29.5	39.4
20TTT []MM	20	92.7	31.8	31.8	31.0	16.7	32.5	46.4
22TTT []MM	22	87.4	31.8	31.8	27.0	17.9	32.5	43.7
25TTT []MM	25	95.4	38.1	31.8	33.3	21.7	33.3	47.7
30TTT []MM	30	139.7	50.8	46	39.2	26.2	48.3	69.9
32TTT []MM	32	144.6	50.8	46	41.6	28.6	49.3	72.3
38TTT []MM	38	168	60.3	55	47.9	33.7	56.4	84

* [] see page 6 for material specifications.