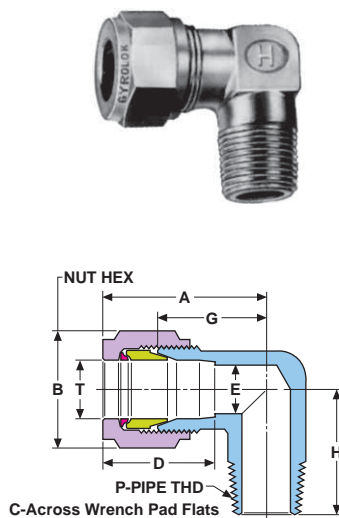


Male Elbow: LM

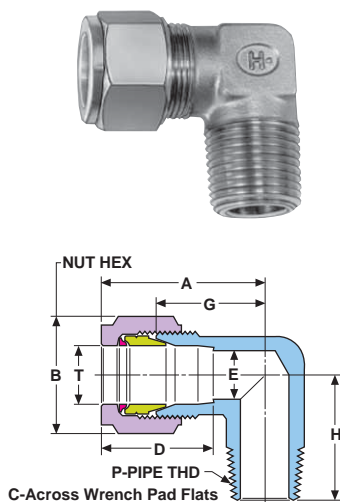
connects **fractional** tube to female NPT thread



Part Number*	Dimensions — inches								
	T Tube O.D.	P Male NPT Size	A	B Hex Flat	C	D	E min	G	H
1LM1[]	1/16	1/16	.78	5/16	7/16	.41	.05	.56	.72
1LM2[]	1/16	1/8	.78	5/16	7/16	.41	.05	.56	.88
2LM1[]	1/8	1/16	.97	7/16	7/16	.56	.09	.66	.72
2LM2[]	1/8	1/8	.97	7/16	7/16	.56	.09	.66	.72
2LM4[]	1/8	1/4	1.09	7/16	1/2	.56	.09	.78	.94
3LM2[]	3/16	1/8	1	1/2	7/16	.59	.13	.69	.75
3LM4[]	3/16	1/4	1	1/2	1/2	.59	.13	.72	.94
4LM2[]	1/4	1/8	1.05	9/16	7/16	.64	.19	.72	.78
4LM4[]	1/4	1/4	1.11	9/16	1/2	.64	.19	.78	1
4LM6[]	1/4	3/8	1.20	9/16	11/16	.64	.19	.88	1.13
4LM8[]	1/4	1/2	1.33	9/16	13/16	.64	.42	1	1.25
6LM2[]	3/8	1/8	1.19	11/16	1/2	.72	.19	.84	.88
6LM4[]	3/8	1/4	1.19	11/16	1/2	.72	.30	.84	1
6LM6[]	3/8	3/8	1.28	11/16	11/16	.72	.30	.94	1.13
6LM8[]	3/8	1/2	1.38	11/16	13/16	.72	.30	1.03	1.25
8LM4[]	1/2	1/4	1.44	7/8	11/16	.97	.30	.97	1.13
8LM6[]	1/2	3/8	1.44	7/8	11/16	.97	.41	.97	1.13
8LM8[]	1/2	1/2	1.50	7/8	11/16	.97	.42	1.03	1.31
8LM12[]	1/2	3/4	1.56	7/8	1	.97	.72	1.06	1.50
10LM6[]	5/8	3/8	1.47	1	13/16	1	.41	1.03	1.25
10LM8[]	5/8	1/2	1.47	1	13/16	1	.50	1.03	1.38
12LM8[]	3/4	1/2	1.59	1 1/8	1	1	.50	1.16	1.50
12LM12[]	3/4	3/4	1.59	1 1/8	1	1	.66	1.16	1.50
14LM12[]	7/8	3/4	1.72	1 1/4	1 1/4	1.06	.72	1.28	1.50
16LM12[]	1	3/4	1.88	1 1/2	1 1/4	1.31	.72	1.31	1.66
16LM16[]	1	1	1.88	1 1/2	1 1/4	1.31	.88	1.31	1.84
20LM20[]	1 1/4	1 1/4	2.62	1 7/8	1 11/16	1.53	1.09	1.75	1.88
24LM24[]	1 1/2	1 1/2	3.07	2 1/4	2	1.78	1.34	2	2.38
32LM32[]	2	2	4.22	3	2 3/4	2.47	1.81	2.75	2.78

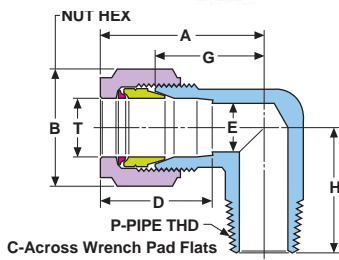
Male Elbow: LM/ME, LM/MC

connects **metric** tube with NPT or RT tapered threads



Part Number*	Dimensions — mm										
	NPT Threads	RT Threads	T Tube O.D.	P Male NPT Size	A	B Hex Flat	C	D	E min	G	H
3LM2[]ME		3LM2[]MC	3	1/8	24.7	11.1	11.0	14.3	2.2	16.8	19.8
3LM4[]ME		3LM4[]MC	3	1/4	27.8	11.1	13.7	14.3	2.2	19.8	23.8
4LM2[]ME		4LM2[]MC	4	1/8	25.3	12.7	11.7	15.1	2.3	17.5	19.1
4LM4[]ME		4LM4[]MC	4	1/4	25.3	12.7	13.7	15.1	2.3	17.5	23.8
6LM2[]ME		6LM2[]MC	6	1/8	26.3	14.3	11.7	16.3	3.8	18.3	19.8
6LM4[]ME		6LM4[]MC	6	1/4	28.2	14.3	13.7	16.3	3.8	19.8	25.4
6LM6[]ME		6LM6[]MC	6	3/8	30.6	14.3	17.2	16.3	3.8	22.2	28.6
6LM8[]ME		6LM8[]MC	6	1/2	33.8	14.3	21.3	16.3	3.8	25.4	31.8
8LM2[]ME		8LM2[]MC	8	1/8	28.6	15.9	12.7	16.7	5.8	20.6	22.2
8LM4[]ME		8LM4[]MC	8	1/4	28.6	15.9	13.7	16.7	5.8	20.6	25.4
8LM6[]ME		8LM6[]MC	8	3/8	31.0	15.9	17.2	16.7	5.8	23.0	28.6
8LM8[]ME		8LM8[]MC	8	1/2	34.2	15.9	21.4	16.7	5.8	26.2	31.8
10LM2[]ME		10LM2[]MC	10	1/8	31.9	19.1	17.5	17.5	4.6	23.9	23.9
10LM4[]ME		10LM4[]MC	10	1/4	32.6	19.1	17.8	17.5	7.1	24.6	28.7
10LM6[]ME		10LM6[]MC	10	3/8	31.8	19.1	17.2	17.5	7.9	28.8	28.6
10LM8[]ME		10LM8[]MC	10	1/2	34.1	19.1	21.3	17.5	7.9	26.2	31.8
12LM4[]ME		12LM4[]MC	12	1/4	36.6	22.2	17.8	24.6	7.1	24.6	28.6
12LM6[]ME		12LM6[]MC	12	3/8	36.6	22.2	17.8	24.6	9.9	24.6	28.7
12LM8[]ME		12LM8[]MC	12	1/2	38.1	22.2	21.3	24.6	9.9	26.2	33.3
12LM12[]ME		12LM12[]MC	12	3/4	41.3	22.2	26.7	24.6	9.9	29.4	38.1
14LM6[]ME		14LM6[]MC	14	3/8	35.6	23.8	20.6	22.2	10.2	26.2	30.6
14LM8[]ME		14LM8[]MC	14	1/2	35.6	23.8	22.6	22.2	11.9	26.2	33.3
15LM8[]ME		15LM8[]MC	15	1/2	36.5	23.8	20.7	22.2	12.7	26.2	31.8
16LM6[]ME		16LM6[]MC	16	3/8	37.3	25.4	20.6	25.0	10.2	26.2	32.2
16LM8[]ME		16LM8[]MC	16	1/2	37.3	25.4	21.5	25.0	12.7	26.2	33.3
16LM12[]ME		16LM12[]MC	16	3/4	40.6	25.4	26.7	25.0	12.7	29.5	38.1
18LM8[]ME		18LM8[]MC	18	1/2	39.5	28.6	24.9	25.4	12.7	29.5	38.1
18LM12[]ME		18LM12[]MC	18	3/4	39.3	28.6	25.4	25.4	15.8	29.4	38.1
20LM8[]ME		20LM8[]MC	20	1/2	46.4	31.8	31.8	31.0	12.7	32.5	38.1
20LM12[]ME		20LM12[]MC	20	3/4	46.4	31.8	31.8	31.0	16.7	32.5	39.4
22LM8[]ME		22LM8[]MC	22	1/2	43.7	31.8	31.8	27.0	12.6	32.5	38.1
22LM12[]ME		22LM12[]MC	22	3/4	44.5	31.8	31.8	27.0	17.9	33.3	41.7
22LM16[]ME		22LM16[]MC	22	1	43.7	31.8	33.3	27.0	17.9	32.5	46.7
25LM12[]ME		25LM12[]MC	25	3/4	47.7	38.1	31.8	33.3	18.1	33.3	42.2
25LM16[]ME		25LM16[]MC	25	1	47.7	38.1	33.3	33.3	21.7	33.3	46.7

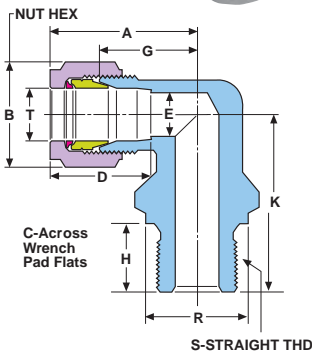
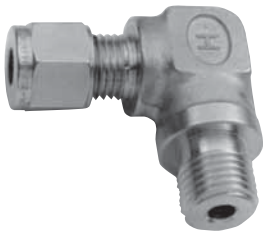
* [] see page 6 for material specifications.



Male Elbow: LM/EC

connects **fractional** tube with RT tapered threads

Part Number*	T Tube O.D.	P Pipe Thd.	Dimensions — inches								
			B		C	D	E min	G	H		
A	Hex Flat										
4LM2[]EC	1/4	1/8	1.05	9/16	7/16	.64	.19	.72	.78		
4LM4[]EC	1/4	1/4	1.11	9/16	1/2	.64	.19	.78	1		
8LM4[]EC	1/2	1/4	1.44	7/8	11/16	.97	.30	.97	1.13		
8LM6[]EC	1/2	3/8	1.44	7/8	11/16	.97	.41	.97	1.13		
8LM8[]EC	1/2	1/2	1.50	7/8	13/16	.97	.42	1.03	1.31		

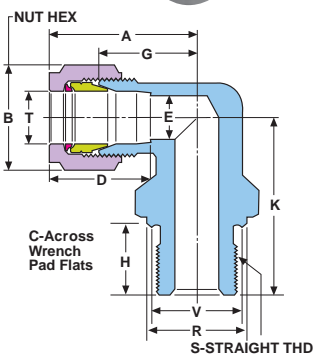
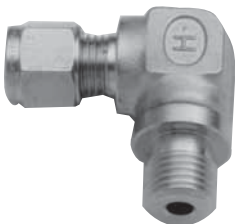


Male Elbow: LM/MA

connects **metric** with RS parallel threads

Part Number*	T Tube O.D.	S Straight Thd.	Dimensions—mm								
			B		C	D	E min	G	H	K	R
A	Hex Flat										
6LM4[]MA	6	1/4	33.0	14.3	17.3	16.3	3.8	24.6	12.0	27.9	18.0
8LM4[]MA	8	1/4	34.2	15.9	20.5	16.7	7.6	26.2	12.0	34.3	18.0
10LM4[]MA	10	1/4	32.6	19.1	16.7	17.5	5.8	24.6	12.0	28.7	18.0
10LM8[]MA	10	1/2	37.2	19.1	20.5	17.5	7.9	29.2	14.0	38.1	26.0
12LM4[]MA	12	1/4	38.1	22.2	22.3	24.6	5.8	26.2	12.0	34.3	18.0
12LM8[]MA	12	1/2	40.6	22.2	20.5	24.6	9.9	28.7	14.0	38.1	26.0
16LM6[]MA	16	3/8	40.6	25.4	26.1	25.0	7.8	29.5	12.0	38.1	22.0
16LM8[]MA	16	1/2	40.6	25.4	20.5	25.0	11.8	29.5	14.0	38.1	26.0
22LM12[]MA	22	3/4	43.7	31.8	28.5	27.0	15.8	32.5	16.0	44.5	32.0

RS parallel thread ends are typically used with a gasket having a bonded elastomer seal. RP-type gaskets may also be used.



Male Elbow: LM/MB

connects **metric** with RP parallel threads

Part Number*	T Tube O.D.	S Straight Thd.	Dimensions—mm									
			B		C	D	E min	G	H	K	R	V
A	Hex Flat											
6LM2[]MB	6	1/8	29.0	14.3	12.6	16.3	3.8	20.6	8.0	21.8	14.0	13.0
6LM4[]MB	6	1/4	29.0	14.3	12.6	16.3	3.8	20.6	12.0	29.0	18.0	17.0

RP parallel thread ends are typically used with a flat gasket to seal.

* [] see page 6 for material specifications.